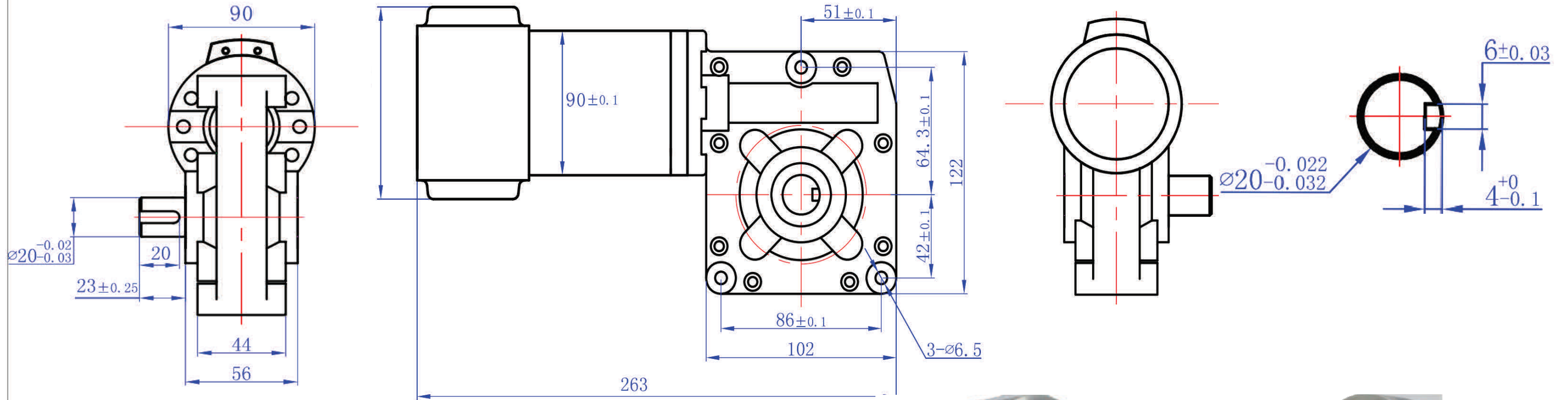


# 90ZYT-155-12

High Torque 12V Worm Gear Motor 63Nm (64 RPM) or 72Nm (50 RPM)

**MOTION  
DYNAMICS**

[www.motiondynamics.com.au](http://www.motiondynamics.com.au)



Model Spec	90ZYT-155-12-50	90ZYT-155-12-60
Voltage	12V DC	12V DC
Motor Power	320W	320W
No Load Current	2.5A	2.5A
Rated Current	24A	24A
Stall Current	32A	32A
Torque	63N.m	72N.m
No Load Speed (RPM)	68 RPM	54 RPM
Rated Speed (RPM)	64 RPM	50 RPM
Gearbox Ratio	60:1	50:1
Net Weight (KG)	4.5Kg	4.5Kg