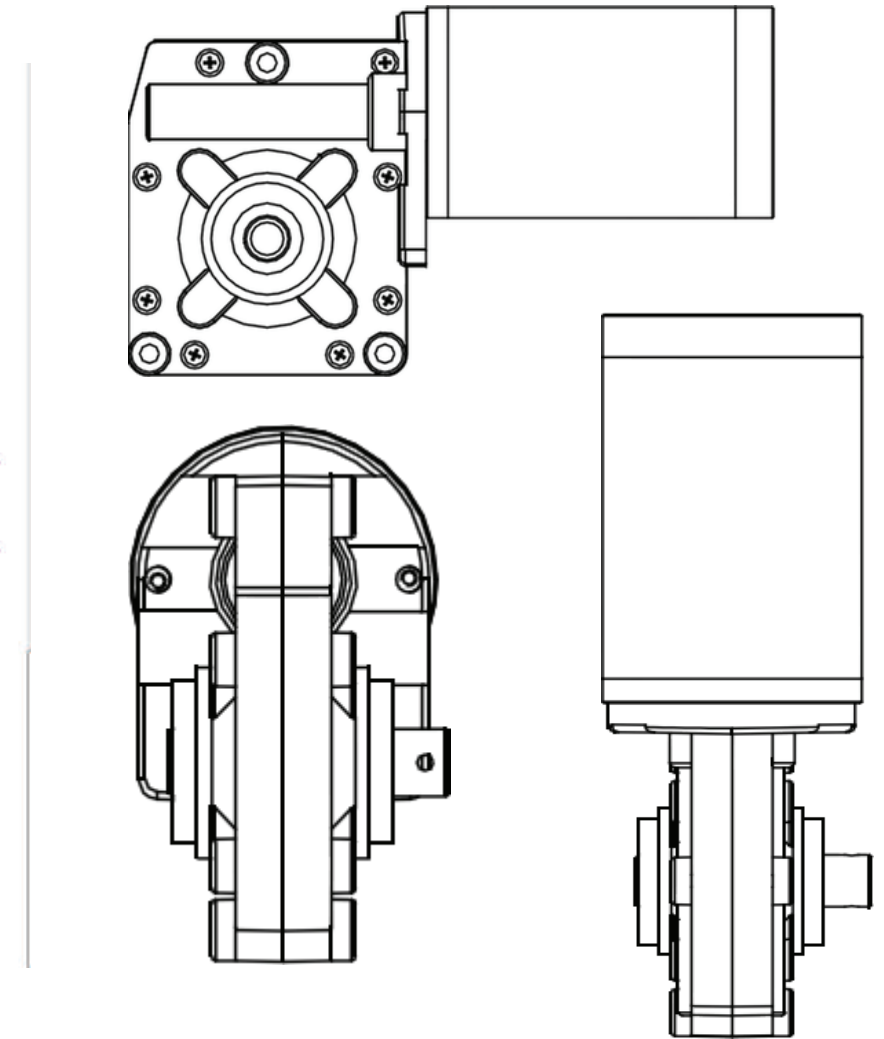
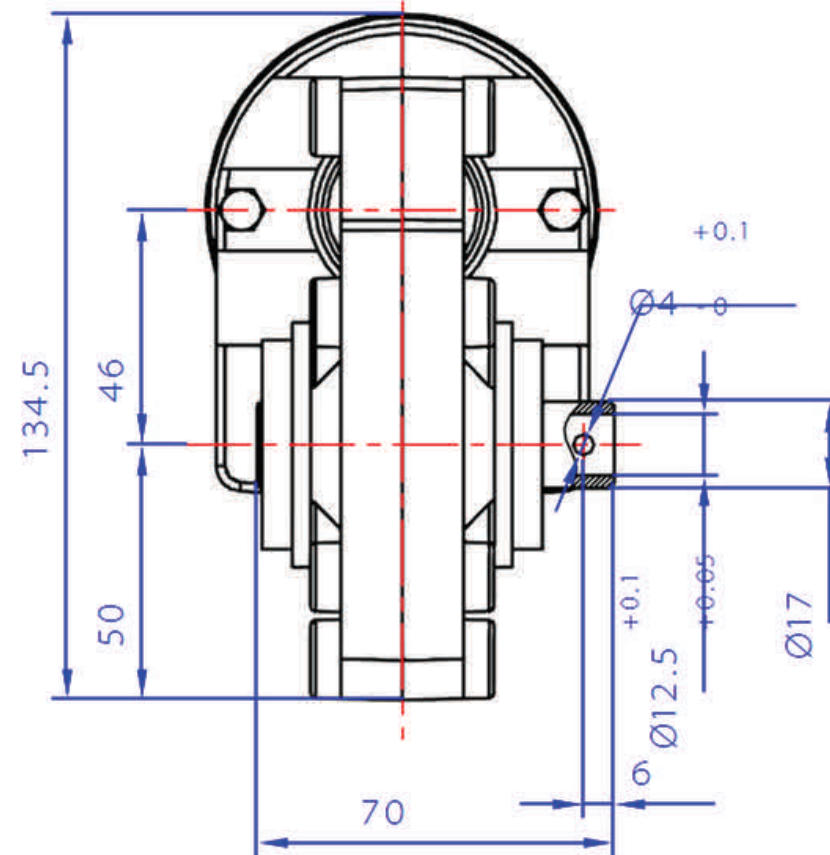
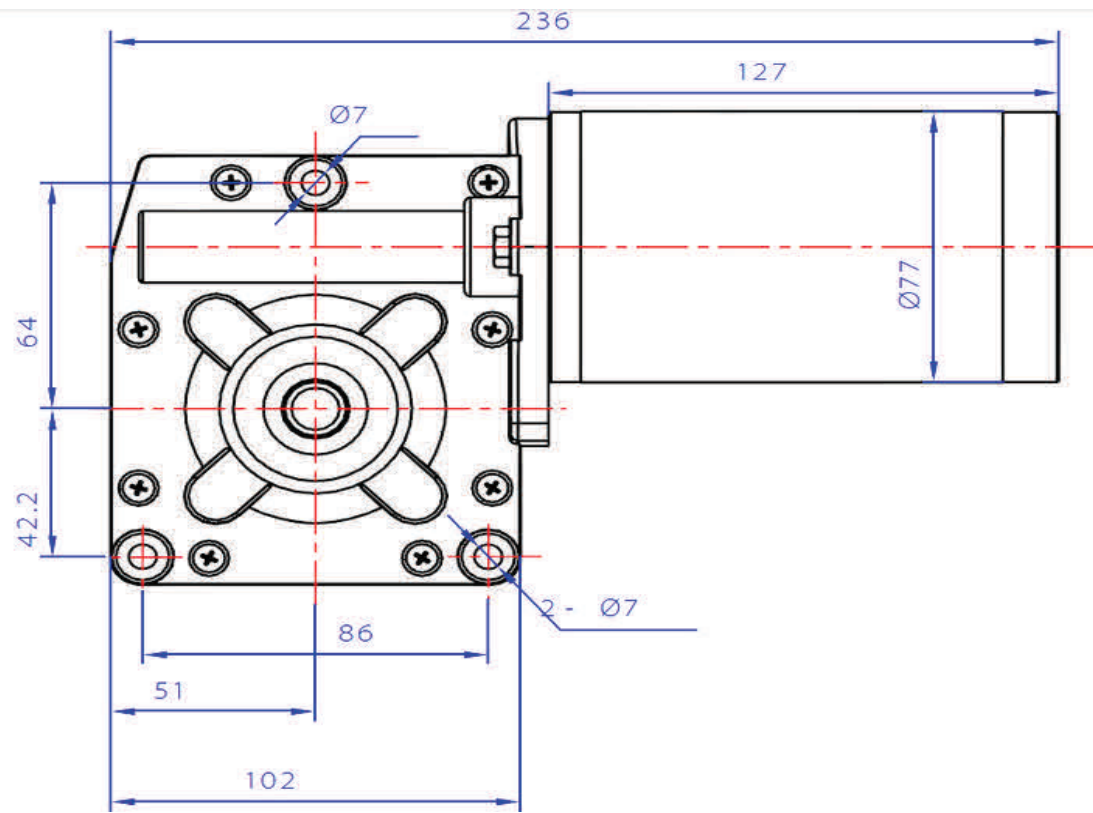


G180-12

High Torque 12V Worm Gear Motor 20Nm (150-180 RPM)

MOTION
DYNAMICS

www.motiondynamics.com.au



Model Spec	G180-12
Voltage	12V-16V DC
Motor Power	180W
No Load Current	1.8A
Rated Current	16A
Stall Current	32A
Torque	20N.m
No Load Speed (RPM)	180 RPM
Rated Speed (RPM)	150 RPM
Gearbox Ratio	25:1
Net Weight (KG)	2.7kg

